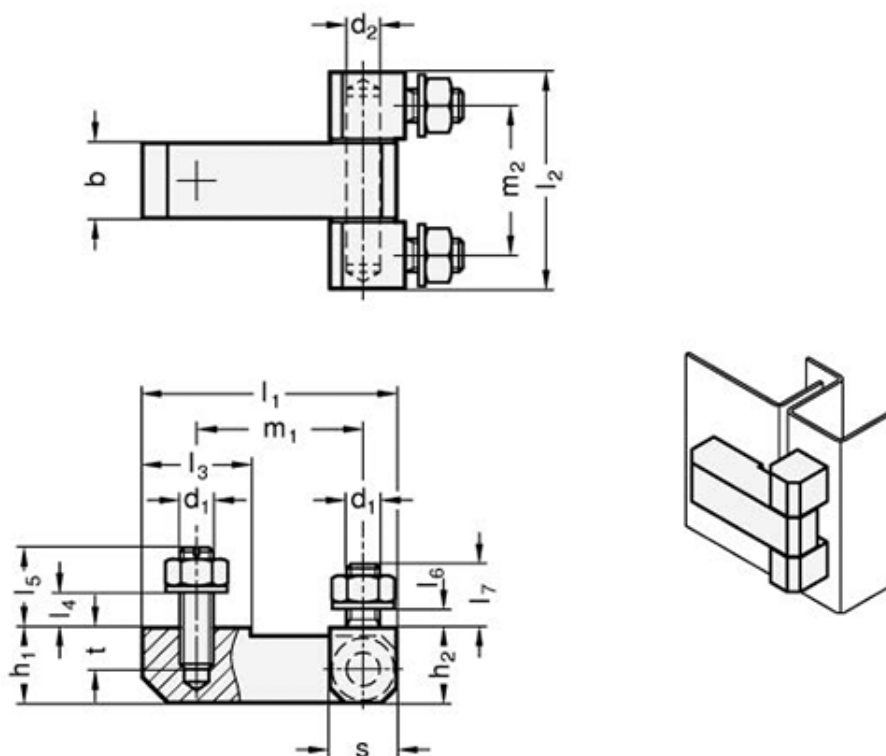


Article number: 2012925051CST

Description: E+G Hinge GN 129.2-50-51-C-ST

Measures



b = 18	l4 = 8	Weight in (g) = 157
d1 = M8	l5 = 14	
d2 = 8	l6 = 8	
h1 = 18	l7 = 14	
h2 = 18	m1 = 29	
l1 = 50	m2 = 35	
l2 = 51	s = 16	
l3 = 26	t = 11	